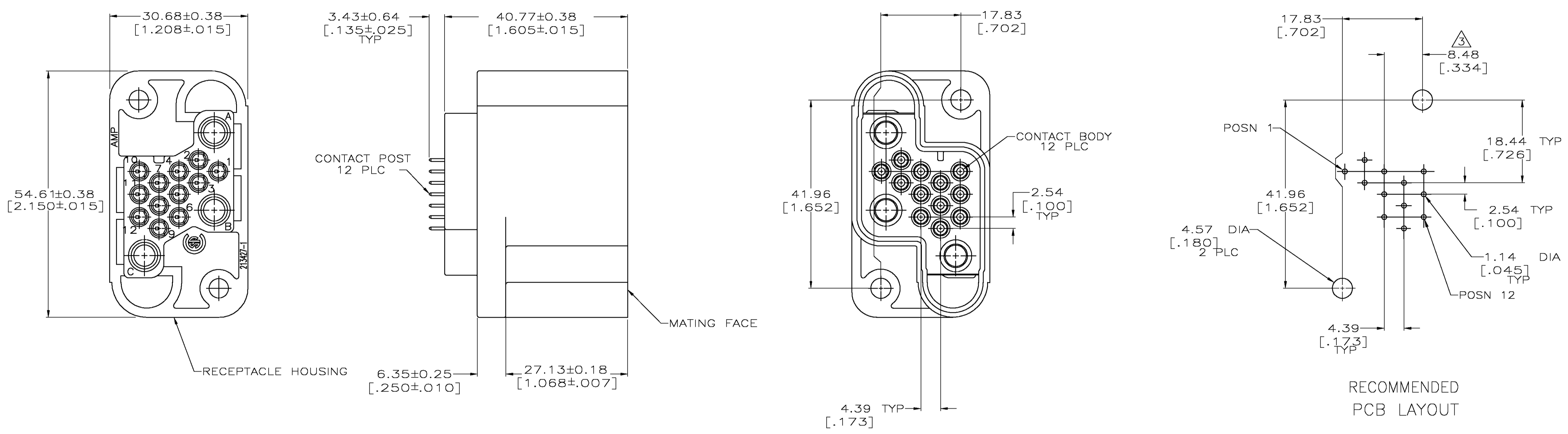


LOC		DIST		REVISIONS			
P	LTR	DESCRIPTION	DATE	DNW	APVD		
B		REVISED PER 063B-0230-05	4/27/05	SS	GS		



- CONTACT BODY: 0.76um[.000030] MIN GOLD FOR A LENGTH OF 5.08[.200] MIN FROM MATING END, GOLD FLASH ON THE REMAINDER, BOTH OVER 1.27um [.000050] MIN NICKEL. CONTACT POST: 2.54um[.000100] MIN TIN-LEAD OVER 2.54um[.000100] MIN COPPER.
- CONTACT ASSEMBLY SHOULD BE FULLY SEATED IN HOUSING PRIOR TO SOLDERING TO PRINTED CIRCUIT BOARD.
- THIS DIMENSION HAS BEEN CHANGED FROM THE STANDARD MOUNTING DIMENSION BY 0.43[.017] DUE TO THE POSTED CONTACT.
- CONTACT BODY: 0.76um[.000030] MIN GOLD FOR A LENGTH OF 5.08[.200] MIN FROM MATING END, GOLD FLASH ON THE REMAINDER, BOTH OVER 1.27um [.000050] MIN NICKEL. CONTACT POST: 2.54um[.000100] MIN TIN OVER 2.54um [.000100] MIN COPPER.

FINISH	213713-2
	213713-1
FINISH	PART NO.

THIS DRAWING IS A CONTROLLED DOCUMENT.		DIN H MOLL 2-28-92	Tyco Electronics Corporation Harrisburg, Pa 17105-3608
		CHK R STONE 2-28-92	
DIMENSIONS:	TOLERANCES UNLESS OTHERWISE SPECIFIED:	APVD	NAME
mm [INCHES]	0 PLC ± - 1 PLC ± - 2 PLC ± 0.13[.005] 3 PLC ± - 4 PLC ± - ANGLES ± -	PRODUCT SPEC	RECEPTACLE ASSEMBLY, 15 POSITION, DRAWER CONNECTOR, METRIMATE
MATERIAL:	FINISH	APPLICATION SPEC	SIZE
HOUSING: POLYESTER, BLACK CONTACTS: BRASS SPRING: STAINLESS STEEL	-	WEIGHT	A1 00779 C=213713
CUSTOMER DRAWING		SCALE	RESTRICTED TO
		2:1	1 OF 1 REV B